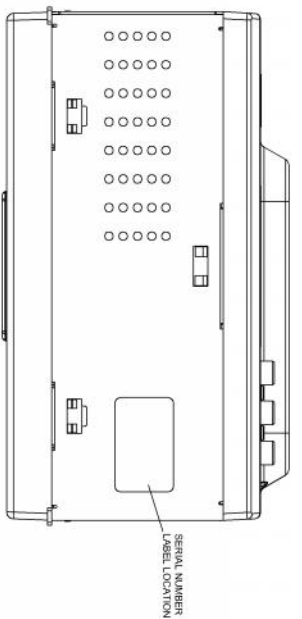
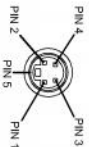


Revision Notes:		
1. NOTES AMENDED.		
Checked By: L.B	Approved By: DK	Date Released: 22/03/12



CONNECTOR A



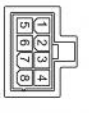
PIN#	DESCRIPTION
1	VIDEO
2	+12V
3	AUDIO FUNCTION
4	AUDIO
5	GROUND

CONNECTOR B

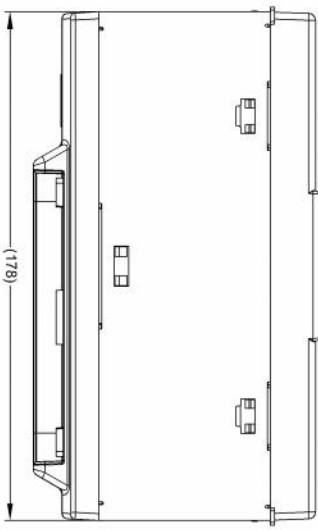
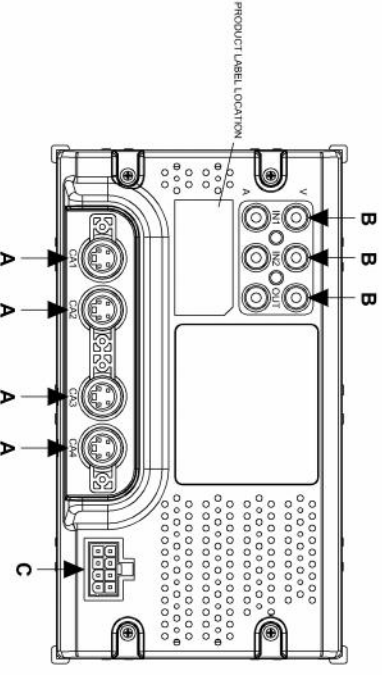
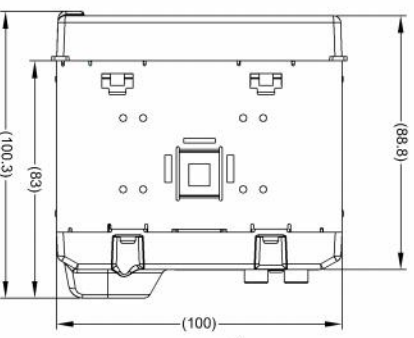
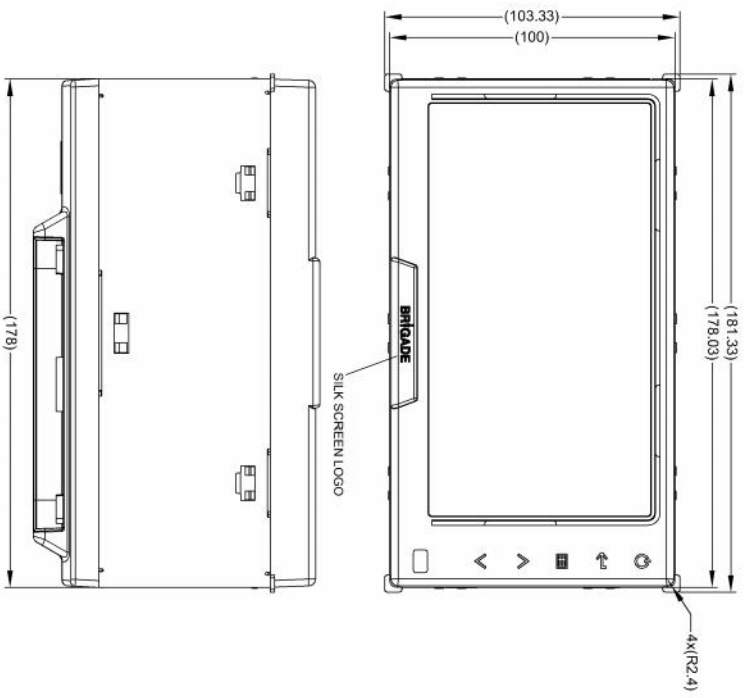
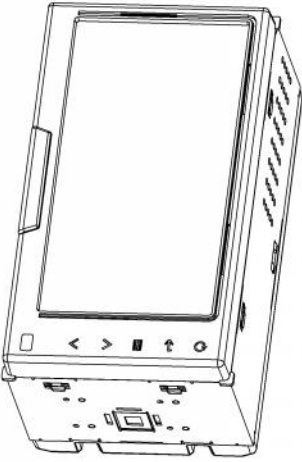


PIN#	DESCRIPTION
1	VIDEO OR AUDIO
2	GROUND

CONNECTOR C



PIN#	DESCRIPTION
1	12VAVC
2	TRIGGER 1
3	TRIGGER 2
4	TRIGGER 5
5	GROUND
6	TRIGGER 4
7	TRIGGER 3
8	SPEED PULSE



(178)

NOTES:

1. FOR PRODUCT LABEL REFER TO LATEST REVISION OF DRAWING BE-001777-XX-11.
2. FOR SERIAL NUMBER LABEL REFER TO LATEST REVISION OF DRAWING BE-001298-XX-10.
3. FOR FRONT HOUSING DETAIL REFER TO LATEST REVISION OF DRAWING BE-001365-XX-11.
4. FOR PANEL SPECIFICATION REFER TO LATEST ENGINEERING SPECIFICATION ES-001723-XX-11

PROPRIETARY NOTICE

THIS DESIGN AND TECHNICAL INFORMATION APPEARING ON THIS DRAWING IS THE PROPERTY OF BRIGADE ELECTRONICS, AND IS DISCLOSED IN CONFIDENCE. IT IS NOT TO BE COPIED, REPRODUCED, REVEALED TO OR APPROPRIATED BY OTHERS, EITHER IN WHOLE OR IN PART WITHOUT THE EXPRESS WRITTEN CONSENT OF BRIGADE ELECTRONICS.



Assembly Pt Approval H/CHOI - 12/03/12		Approved by DKERALI		Checked by M/BUTLER		Drawn by JNEWMAN	
Angle of Projection Third Angle		Units mm	Scale N/A	Released 12/03/12	Assembly Ref ECL-65WDBM		
Status RELEASED		Stock Code 3936		BE-865DDM-M			
				BE-001737-01-11			